

Class C Mighty Minis Championship Regulations

Index

Introduction

Section 1

Sporting Regulations - General

Section 2

Sporting Regulations – Judicial Procedures

Section 3

Sporting Regulations – Championship

Race Meetings & Race Procedures

Section 4

Championship Race Penalties

Section 5

Technical Regulations

Section 6

Appendices – Contacts

Section 7

Registration Form

Mighty Minis Championship incorporating the following classes:

Class C

DRAFT Copy



Organised and Administered by the
British Automobile Racing Club

1 SPORTING REGULATIONS – GENERAL

1.1 Title & Jurisdiction

The 2019 Mighty Minis Class C is organised and administrated by the British Automobile Racing Club (BARC) in accordance with the General Regulations of the Royal Automobile Club Motor Sports Association (incorporating the provisions of the International Sporting Code of the FIA) and these Championship Regulations.

MSA Championship Permit No:
Race Status: **National B**
MSA Championship Grade: **D**

The BARC reserve the right to amend or vary the Sporting Regulations in accordance with MSA Regulation [D 11.1.3] at any time before or during the Championship and further issue additional statements concerning the Regulations from time to time, subject to MSA approval, and all such statements will be issued by Championship Bulletin to the MSA and to all registered competitors by email or by post to the address detailed on the Registration Form, or by delivery to the competitor by hand. It is a condition of entry into the championship that all competitors, teams, team members and persons associated with any of the above agree to be bound by the Regulations including any amendments, variations or statements relating thereto.

1.2 Officials

1.2.1 Co-ordinator

Bob Marsh
5 Mayfield Drive
Seamer
Scarborough
North Yorkshire
YO12 4RA
Phone no. 07986 009644
Email address: bob.marsh53@hotmail.com

Registration Secretary

Linda Rideout
Mighty Minis Racing
44 Arbour Square
London E1 0PS
Mobile: 07515666420
email info@mightyminis.co.uk

1.2.2 Eligibility Scrutineer

Derek Smith
Kynence
Blackpost Lane
Totnes
Devon
TQ9 5RF
Tel: (01803) 0863255
Mob: (07535) 077165
Email dereksmithscrutineer@btinternet.com

1.2.3 Championship Stewards

Dennis Carter, Bill Coombs, Dale Wells & Guy Woodward

Any three of the Championship Stewards will constitute a quorum. In the event of any of the Championship Stewards listed above being unavailable or being unable to consider any particular matter due to a perceived conflict of interest, the organisers reserve the right to appoint an alternative Championship Steward or, if deemed to be necessary, more than one alternative Championship Steward.

1.3 Competitor Eligibility

1.3.1 Entrants must be fully paid up membership card holding members of the BARC and in possession of an MSA Entrants Licence

1.3.2 Drivers and Entrant Drivers must be fully paid up valid membership card holding Racing members of the BARC, be registered (1.4.1) for the Championship and be in possession of a valid MSA Competition (Racing) National (B) or above licence or be a professional driver in possession of a valid Licence (featuring an E.U. flag) and medical, issued by the ASN of a member country of the European Union.

A competitor shall not take time off school to participate in motor sport without the prior written approval of their school. If participation in the Championship requires absence from school, Drivers in full time school education are required to have the approval of their head teacher and a letter stating such approval from his/her school in order to fulfil registration for the Championship.

A driver is ineligible for Class C of the Mighty Minis Championship if:

- a) they have competed in four or more seasons (part or full) in any class of the Mighty Minis Championship and have been declared the champion, or
- b) Have competed in and were declared the champion (overall or class) of any other MSA/other ASN registered championship regardless of category, kart, rally, sprint etc. (excluding junior championships).

1.3.3 All necessary documentation must be presented for checking at all rounds when signing-on. The presentation of a car to scrutineering will be deemed an implicit representation that the car fully complies with the regulations.

1.3.4 Competitors must ensure that their cars comply with the Mighty Minis Championship Regulations at all times.

1.4 Registration

1.4.1 All drivers who are deemed suitable to compete in the Championship will be invited by the organisers to register as competitors for the Championship. After returning the Championship Registration form with the correct Fee, the Championship Co-ordinator will issue confirmation of your invitation to compete in the 2019 Championship. Should you be deemed not suitable to compete in the Championship, the registration fee will be returned to you in full. The Organisers reserves the right to decline any driver's registration application for the championship.

1.4.2 The Championship Registration Fee is £180 this must be accompanied by a signed Championship Registration form. All cheques are to be made payable to Mighty Minis Racing Ltd and sent to 44 Arbour Square London E1 0PS

1.4.3 2019 Championship registrations will be accepted from the date of the issue of an MSA Championship permit until the closing date for entries to the last round. The Organisers empower Mighty Minis Racing Ltd on their behalf to accept or refuse any entry or registration and withdraw a registration at any time, should the inclusion of the competitor or team be deemed by them, with absolute discretion not to be in the best interests of the championship.

1.4.4 Upon acceptance of registration, permanent competition numbers for the Mighty Minis championship will be issued.

1.4.5 Two or more drivers may register to drive the same car during the-Mighty Minis Championship but points for each race will only be awarded to the competing driver, who must compete using his/her championship registered number.

1.5. Championship Rounds

The Championship will be contested at the following venues.

ROUND	DATE	VENUE	CLUB
-------	------	-------	------

1.6 SCORING

1.6.1 Points will be awarded to Competitors in the results for each race. Points are per class

1 st	2 nd	3 rd	4 th	5 th	6 th	7 th	8 th	9 th	10 th	11 th	12 th	13 th	14 th	15 th	16 th	17 th	18 th
33	30	27	24	22	20	18	16	14	12	10	9	8	7	6	5	4	3

19th & below: 2 points, DNF/Not Classified: 1 point. 2 points will be awarded for fastest race lap.

1.6.2 The totals from all races of the championship held less one will determine the final Championship points and positions. Drivers excluded from results for sporting/technical infringements may not use that (those) event(s) as discarded rounds for the purpose of overall championship placing. Rounds of the Championship can be substituted in the event of a cancellation.

1.6.3 Ties will be resolved according to [W 1.3.4] of the current MSA Yearbook.

1.7 Awards

1.7.1 All race awards are to be provided by: Mighty Minis Racing.

1.7.2 Per Round

Cups will be presented to first, second and third in each class.

1.7.3 Championship

A Trophy will be awarded to First, Second and Third in each class.

1.7.4 Bonuses

The organisers/sponsors/promoters reserve the right to provide additional awards for and during the Championship.

1.7.5 Presentations

Garlands and trophies will be provided for each meeting by **Mighty Minis Racing Ltd** (as applicable) and shall be presented at the end of each round/event.

1.7.6 Entertainment Tax Liability

In accordance with current Government Legislation, the Organisers of every round are legally obliged to withhold tax at the current basic rate on all payments to non-UK resident sportsmen/sportswomen and account to HMRC using form FEU1, the quarterly return of payments made to non-resident entertainers and sportsmen/women. That is, those persons who do not have a normal permanent residence in the UK. The UK does not include the Isle of Man, Channel Isles or Eire.

This means that the Organisers of every round are required to deduct tax at the relevant rate, from such payments they may make to non-UK residents. Under certain circumstances, it is possible for competitors to enter into an agreement with the Inland Revenue to limit tax withheld. Any application for such an arrangement must be made in writing and not later than 30 days before their payment is due.

For further information contact: - HMRC Personal Tax International, Foreign Entertainers Unit, St Johns House, Merton Road, Liverpool L75 1BB. Tel: (0151) 472 6488 Fax: (0151) 472 6483

1.7.7 Title To All Trophies

In the event of any Provisional Results being revised after any provisional presentations and such revisions affect the distribution of any awards the competitors concerned must return such awards to the BARC in good condition within 7 days.

2. SPORTING REGULATIONS – JUDICIAL PROCEDURES

2.1 Rounds

In accordance with Section C of the current MSA Yearbook

2.2 Championship

2.2.1 In accordance with Section C of the current MSA Yearbook.

DRAFT

3. SPORTING REGULATIONS – CHAMPIONSHIP RACE MEETINGS & RACE PROCEDURES

3.1 Entries

- 3.1.1 Competitors are responsible for sending in correct and complete entries with the correct entry fees prior to the entry closing date, which shall be 14 days before every round.
- 3.1.2 Incorrect or incomplete entries (including driver to be nominated entries) are to be held in abeyance until they are complete and correct. The date of receipt for acceptance of entry purposes shall be the date on which the Secretary of the Meeting receives the missing or corrected information or fee.
- 3.1.3 Any withdrawal of Entry or Driver/Car changes made after the acceptance of any entry must be notified to the Secretary of the Meeting in writing. If Driver/Vehicle changes are made after publication of Entry Lists with Final Instructions the competitor concerned must apply for approval of acceptance by the stewards of the meeting before signing on.
- 3.1.4 The Maximum entry fee for every round shall be as stipulated in the Supplementary Regulations plus any late entry surcharge imposed by the club.
- 3.1.5 In the event of any rounds being oversubscribed the Organising Clubs in liaison with the co-ordinator / organiser may at their discretion run Qualification Races. For Qualification Race procedures see 3.13 of these regulations.
- 3.1.6 Reserves are to be nominated on the final list of entries published with Final Instructions or Amendment Sheet Bulletins. All Reserves will practice and replace withdrawn or retired entries in Reserve Number order. If Reserves are given Grid Places prior to issue of the first Grid Sheets for any round the times set in Practice shall determine their grid positions. If Reserves are given places after publication of the grid sheet and prior to cars being collected in the Official "Assembly Areas" they will be placed at the rear of the Grid and be started without any time delay. Otherwise, they will be held in the Pitlane and be released to start the race after the last car to start the GREEN FLAG LAP or last car to take the start has passed the startline or pitlane exit, whichever is the later. Such approval to start MUST be obtained from the Clerk of the Course.

3.2 Briefings

Organisers will notify competitors of the times and locations for all briefings in the Final Instructions for all meetings, competitors must attend all briefings.

3.3 Practice

- 3.3.1 The minimum period of practice to be as specified in the MSA Regulations in respect of circuit lengths.
- 3.3.2 Should any practice session be disrupted the Clerk of the Course shall not be obliged to resume the session or re-run sessions to achieve the championship criteria and the decision of the Clerk of the Course shall be final.
- 3.3.3 Should the need arise to stop any practice, RED LIGHTS will be switched on at the Start Line and RED FLAGS will be displayed at the startline and at all other Marshal Signalling Points around the circuit.
This is the signal for all drivers to cease circulating at racing speeds, to slow to a safe and reasonable pace and return to the pit lane unless directed by officials not to do so.

3.4 Qualification

- 3.4.1 Each driver should complete a minimum of 3 laps practice in the car to be raced and in the correct session in order to qualify for selection and order of precedence as set out in the MSA regulations [Q 4.5]. The Clerk of the Course and or Stewards of the meeting shall have the right to exclude any driver whose practice times or racing are considered unsatisfactory as per MSA Regulation [Q 4.5.3].

3.4.2 The grid for the second race of a double header event will be the finishing order from the first race; however, the positions of the first six, seven or eight grid positions will be reversed. The number of positions to be reversed will be picked at random by the winner of the previous race (or in his absence the race Clerk of the Course).

3.5. Races

3.5.1 The standard minimum scheduled race distance shall be 12 miles whenever practicable but should it be reduced at the discretion of the Clerk of the Course and Stewards of the Meeting it shall count as a full scoring round.

3.6 Starts

3.6.1 All race start countdowns are to have a minimum elapsed period of 3 minutes from the time all cars are released to form up the grid to the start of the Green Flag lap(s) in the formation as specified on the Track Licence for the Circuit.

3.6.2. The minimum countdown procedures/audible warning sequence shall be:

Standing Start

1 minute to start of Green Flag lap - Start Engines/Clear Grid.

30 Seconds - Visible and audible warnings for the start of Green Flag lap.

3.6.3 The use of tyre heating/heat retention devices, tyre treatments and compounds is prohibited.

3.6.4 Any cars removed from the grid after the 1-minute stage or driven into the pits on Green Flag shall be held in the pit lane. They may start the race after the last car to take the start from the grid has passed the start line or pit lane exit, whichever is the later.

3.6.5 Any drivers unable to start the Green Flag lap or Start are required to indicate their situation as per MSA Regulation [Q 12.13.2]. Any drivers unable to maintain grid positions on the Green Flag to the extent that all other cars are ahead of them may complete the Green Flag Lap. They MUST remain at the rear of the last row of the grid but ahead of any cars to be started with a time delay.

3.6.6 Excessive weaving to warm-up tyres using more than 50% of the track width and falling back in order to accelerate and practice starts, is prohibited.

3.6.7 A 5 Second Board will be shown to indicate that the Grid is complete. The red lights will be switched on five seconds after the board is withdrawn. In the event that the starting lights fail the Starter will revert to using the National Flag.

3.6.8 The organisers reserve the right to alter the starting procedure to that of a rolling start. Competitors will be advised in the Final Instructions should this method be employed.

3.6.9 The standard countdown procedure will be :

- **Rolling start** : 2x2 grid formation
- 1-minute to Green Flag lap – audible and visual signal. Start engines/clear grid.
- 30-seconds – audible and visual signal for the start of the Formation Lap.

Towards the end of the Formation Lap(s) the Lead Car will leave the circuit after extinguishing its roof lights indicating a start is imminent. The grid will continue at a similar speed on the approach to the start line. At the start of the race all cars should keep in formation and must not overtake until they have crossed the startline after the red start light(s) are extinguished. In the event that the starting light(s) fail the Starter will revert to using the National Flag.

3.6.11 Any cars removed from the grid after the 1 minute stage or driven into the pits on the Formation Lap shall be held in the pitlane. They may start the race after the last car to take the start from the grid has passed the startline or pit lane exit, whichever is the later.

3.6.12 Any drivers unable to start the Formation Lap or start are required to indicate their situation as per MSA Regulation [Q 12.13.2]. Any drivers unable to maintain grid position on the Formation Lap to the extent that ALL other cars are ahead of them may complete the Formation Lap but must remain at the rear of the last row of the grid but ahead

of any cars to be started with a time delay.

3.6.13 Excessive weaving to warm up tyres using more than 50% of the tracks width and falling back in order to accelerate and practice starts is prohibited.

3.6.14 Aborted Start

If the start is aborted prior to the Lead Car pulling off, the Lead Car will not extinguish his roof lights and will continue to lead the field around the circuit for an additional formation lap and a new start will be attempted in accordance with the above.

If the race start is aborted after the Lead Car has left the circuit the signal to start will not be given, and the start lights will remain at red. When this signal is given, all cars should exercise extreme caution and return slowly round the circuit maintaining their original grid positions stopping on the grid. The race start countdown procedure will then be repeated from the one-minute countdown point. At the discretion of the Clerk of the Course, the race distance may be reduced accordingly.

3.7 Race Stops

3.7.1 Should the need arise to stop any race or practice, Red Lights will be switched on at the Start Line and Red Flags will be displayed at the startline and at all Marshals Signalling Points around the circuit. This is the signal for all drivers to cease circulating at racing speeds, to slow to a safe and reasonable pace and to return to the starting grid area, which will automatically become a Parc Fermé area.

Cars may not enter the pits unless directed to do so. Work on cars already in the pits must cease when a race is stopped.

3.7.2 **Case A – Less than two laps completed by the race leader.**

The race will be null and void. The race will restart from the original grid positions. Competitors unable to take the restart may be replaced by reserves who will start from the back of the grid in reserve order. Gaps on the grid should not be closed up. The length of the restarted race will be determined by the Clerk of the Course.

3.7.3 **Case B – More than two laps completed by the race leader but less than 75% of the scheduled distance.**

The race will restart from a grid set out by the finishing order of part one (as per MSA Regulation [Q 5.4.2]) The result of the race will be the finishing order of part two. A car or cars starting but not completing the first part of the race will be considered as a non finisher/finishers and championship points will be awarded to reflect this. The length of the restarted race will be determined by the Clerk of the Course.

3.7.4 **Case C - More than 75% of race completed**

If the leader has completed more than 75% of the race distance or duration it shall not be restarted and the results will be declared in accordance with MSA Regulations [Q 5.4.3], unless the Clerk of the Course, in consultation with the Stewards deem it appropriate to restart the race.

3.8 Rescrutiny

All vehicles reported involved in contact incidents during races or practice must be re-presented to the Scrutineers before continuing in the races or practice.

3.9 Pits and Pit Lane Safety

3.9.1 **Pits**

Entrants must ensure that the MSA, Circuit Management and Organising Club Safety Regulations are complied with at all times.

3.9.2 **Pit Lane**

The outer lane or lanes are to be kept unobstructed to allow safe passage of cars at all times. The onus shall be on all Drivers to take due care and drive at minimum speeds in the Pit Lanes.

3.9.3 **Refueling**

May only be carried out in accordance with the MSA Regulations [Q 13], Circuit Management Regulations and SR's or Final Instructions issued for every meeting.

3.10 Race Finishes

- 3.10.1 After taking the Chequered Flag drivers are required to progressively and safely slow down, remain behind any competitors ahead of them, return to the Pit Lane entrance as instructed, comply with any directions given by marshals or officials and to keep their helmets on and harnesses done up while on the circuit or Pit Lane.
- 3.10.2 Parc Fermé conditions apply from the moment of taking the chequered flag until the time that the cars are released from Parc Fermé. Cars must not stop at the pit garage on the way to Parc Fermé.
- 3.10.3 Team members are not permitted in the Parc Fermé area unless authorised by the Scrutineer or other Official.

3.11 Results

All Practice Timesheets, Grids, Race Results are deemed provisional until all vehicles are released by Scrutineers after Post Practice/Race Scrutineering and/or after completion of any Judicial or Technical Procedures.

3.12 Timing Modules

- 3.12.1 All competitors will be required to fit Electronic Self Identification Modules to their cars for the purposes of accurate timing.
- Holders for these will be issued with the transponders and it will be the responsibility of the competitor to fit these to the upright of the rear roll cage adjacent to the bottom of the drivers rear side window.) The Modules must be in place and functioning correctly for all Championship qualifying practice sessions and races. The setting and servicing of these items must only be carried out by properly authorised MSA licensed Timekeepers. Competitors will be charged by the timing company for replacement of the Modules due to misuse or loss at any time during the season.
- 3.12.2 Competitors may not place electronic timing equipment within five metres of the official Start, Finish or any other official timing lines at any event or test session/day. Any such equipment placed within these zones will be removed.

3.13 Qualification Races

In the event of the need for any qualification races, the procedures will be as published in the Final Instructions for the events concerned.

3.14 Operation of Safety Car

- 3.14.1 The Safety Car will be brought into operation and run in accordance with Section Q, Appendix 2 of the MSA General Regulations.

3.15 In Car Camera

All cars must have fitted at the least one in-car camera positioned so that it records the steering wheel and exterior forward view of track ahead of the vehicle, The unit must be switched on and be recording at all times when the car is on track during any official free practice, qualification sessions and races. The onus is on the competitor to ensure that this Judicial camera is switched on and recording for all sessions. The memory card may be requested by the organisers or by the Clerk of the Course or his representatives for any purpose and the recorded footage copied for use in broadcast or any other area deemed appropriate by the championship organizer. Failure to provide the footage may lead to disciplinary measures by the Clerk of the Course and may prejudice their defence in the case of an incident. The Competitor will incur no penalty for their first infringement; however they will incur a 2 -point penalty for each subsequent offence.

4. CHAMPIONSHIP RACE PENALTIES

4.1 Infringements of Technical Regulations

4.1.1 Arising from post practice Scrutineering or Judicial Action

Minimum Penalty: The provisions of MSA Regulation [C 3.3].

4.1.2 Arising from post race Scrutineering or Judicial Action

Minimum Penalty: The provisions of MSA Regulations [C 3.5.1 (a) & (b)].

For infringements deemed to be of a more serious nature the Clerk of the Course and/or Stewards of the Meeting are to invoke the provisions of Regulation [C 3.5.1 (c)].

4.2 Infringements of Non-Technical MSA Regulations and the Sporting Regulations issued for the Championship

4.2(a) The Clerk of the Course reserves the right to impose a '**Stop-Go Penalty/Drive Through Penalty**' in accordance with MSA Regulation Q12.6.

4.2.1 As per current MSA Judicial Procedure Regulations.

4.2.2 Additional Specific Championship Penalties

Single Qualifying Session, Single Race.

At any meeting, event, official qualifying or race, where any competitor shall be found guilty of any of the following offences, they shall forfeit all points in the championship gained solely at that event, official qualifying or race to that point during the event, official qualifying or race and shall be ineligible to score any points for the remainder of that event, official qualifying or race.

Multiple Qualifying/Multiple Race.

In the case of double-header races or multi-races, where an offence below is committed during any qualifying session(s) or the first race, then points gained for the qualifying session(s) and the first race will be forfeited. Where an offence occurs during any subsequent race then the points solely gained for that race shall be forfeit.

Should two separate offences be committed, then all points shall be forfeited for that whole event, irrespective of the timing of the offence committed at that event. Where a "double header" event takes place at the same venue over a weekend and is conducted as two separate race days then this regulation shall only apply to each day individually.

The offence is:

- "Driving incompatible with general safety" in the course of a meeting, see MSA Regulation C 1.1.5.

4.2.3 In order to maintain standards of conduct, the Championship Coordinator will monitor all Officials/Observers reports of adverse behaviour at race meetings and or on social media, or the behaviour of any member of a competitor's entourage at race meetings and or on social media. If any individual is included on such reports/during one racing season he/she will receive a written warning from the Organisers that his/her driving/behaviour or the behaviour of any member of their entourage is to be specifically observed at future race meetings or on social media. Any adverse reports during this period of observation could result in a Championship Stewards' enquiry, with possible loss of Championship points and refusal of further race entries.

4.2.4 Any breaches of driving standards will be firmly dealt with. If it appears from official video recordings or any other evidence that there may have been a breach of driving standards or behaviour, on or off the track, in a manner considered to have brought the Championship into disrepute, the Championship Co-ordinator will be entitled to request that the Championship Stewards consider the inception of an enquiry into the matter, notwithstanding that the Clerk of the Course or Stewards of the event may or may not have investigated the incident.

4.2.5 Championship Stewards will then decide penalties from that stated in MSA Regulation [C 2.1.1] but may also include individual race bans, loss of points, awards, and/or end of season awards or exclusion from the Mighty Minis

Championship. In the instance that a driver has penalty points added to their race licence, by the Clerk of the Course of the meeting for driving incompatible with general safety, or for infringements deemed to be a more serious nature, 3 times the amount of penalty points could be deducted from their championship points tally for that season even if this results in a negative points score.

4.2.6 **Championship Penalties**

For offences under MSA regulations [C 1.1.5], [C 1.1.6], [Q 14.4.2] and [Q 14.5], the Clerk of the Course, at his discretion, may additionally impose a championship penalty in the form of the following:

- (i) For an offence in qualifying; a grid penalty of up to ten places
- (ii) For an offence in a race; a time penalty of up to one minute
- (iii) For an offence in a race where the offending driver is not classified; a grid position penalty in the next race/event.

For a driver who has already received a penalty during the course of a season, the Championship Co-ordinator will be entitled to request that the Championship Stewards consider the inception of an enquiry into the matter; any subsequent penalty may have a championship penalty applied by the Stewards of the Championship. Where a championship penalty has previously been applied, the severity will be increased.

5. TECHNICAL REGULATIONS

Class C

5.1 Introduction

The following Technical Regulations are set out in accordance with the MSA specified format and it must be clearly understood that if the following texts **do not clearly specify that you can** do a modification you must work on the principle that you **cannot**.

5.2 General Description

The Mighty Minis Championship is for competitors registered (by invitation) for the championship and participating in vehicles, which at all times must comply with the Mighty Minis Championship Technical Regulations for that category. All cars must be British Specification post 1977 front rubber mounted subframe saloon Minis, clubman saloon shells are allowed. The cars must be raced with standard engine, Cylinder head, and gearbox specification for a British Rover 1.3(1275) Mini Cooper apart from the modifications specifically allowed by the organisers, effectively a Class 'C' Mighty Mini. Registration of a vehicle to compete in the Mighty Minis Championship is entirely conditional upon the vehicle meeting all aspects of the Technical Regulations. Such registration may be cancelled at any time if the vehicle is deemed ineligible by the Championship Scrutineer.

Only the Mini Spares Centre Ltd, Rover, or Mighty Minis racing part numbers listed against any particular regulation can be used. No other standard replacement part can be substituted

5.2.1 Class C - Mighty Minis

Standard 1.3(1275) engine specifications, apart from the modifications permitted within the regulations. All aspects of the technical regulations must be complied with.

5.2.2 Upon registration for the Championship all drivers are required to complete the driver information form and fill in the application form.

5.2.3 Examination Of Vehicles

The organisers under the control of the Eligibility Scrutineer (in addition to any other powers they may have under these Regulations reserve the right before or after any race in the championship to designate any one or more of the competing cars for special eligibility scrutineering. Upon such election being made the competitor shall immediately place the car under the control of the organisers and be deemed to have permitted all such scrutineering, examination and testing, including rolling road, as the organisers may responsibly require to undertake.

The organisers have the right to:

- a) Examine the car at the circuit for such period as they may reasonably require and take fuel samples and/or
- b) Retain the car for detailed examination at premises chosen by the organisers. If the organisers elect to retain the car they shall make it available for collection by the competitor at least seven days prior to the qualification session for the next race in the championship unless the car is found to be in breach of these regulations and/or
- c) Seal the car and its components in such a manner as they may choose and require the competitor at their own expense to present the car at any other premises chosen by the organisers for detailed examination within a specified period and/or remove the car by transporters at no expense to the competitor to an appointed

location. The competitor will be advised in writing of the time, date and location of the subsequent testing or eligibility examination.

- d) The organisers reserve the right to fit data logging systems to any car, during any official qualifying or race. The information will not be shared with the driver or any other driver during the course of the season. This information will be documented by the eligibility scrutineer/co-ordinator for their sole use.

The organisers reserve the right to seal the engines and gearboxes at the first official event, race or any other that the car is presented to. Two head stud bolts must be drilled through with an 1/8 drill so as to be able to apply the sealing wire. The 2 lower differential casing bolts CHS2514 must be drilled through with an 1/8 drill so as to be able to apply the sealing wire. Two clutch housing bolts must be drilled through with an 1/8 drill so as to be able to apply the sealing wire.

The overseen stripping of the engine or any required component will be undertaken by the competitor and/or mechanic/technician nominated by the competitor under the control of the Eligibility Scrutineer. The organisers have the right to nominate an A series engine specialist to inspect all aspects of the engine eligibility; however he is only able to advise the Scrutineer of his findings and does not act as a judge of fact. Bill Richards is our nominated A series specialist. All comprehensive engine strip downs/checks/measurements will be conducted at the premises of Bill Richards Racing (see appendices).

The organisers reserve the right to re-inspect vehicles at any time during the course of the season, for a regulation infringement or should there have been a circuit incident.

Competitors will be personally and solely responsible for ensuring that their cars comply with their registration details and with these regulations for each event at which they are entered. Failure to comply in either respect will be a breach of these regulations. Queries concerning eligibility should be referred in writing to the organisers/championship Eligibility Scrutineer at least seven days prior to an event entered, to permit a ruling in advance of any meeting at which it is intended to compete.

Tests to establish the power output of any car may be carried out by the organisers or their representatives. Such power testing will be carried out using the rolling road equipment or engine dynamometer equipment notified by the organisers, Blink motorsport (see appendices).

An upper tolerance of 2.5% maximum horsepower will be given, calculated to the nearest integer, compared to the stated figures in Appendix A. The stated tolerance is total and absolute taking account of all other tolerances for test machinery atmospheric conditions. No further allowance will be given. Rounding off calculations will be effected on the total power figure. For purposes of presentation other figures may be rounded up, but it is in the total figure only, which is relevant.

Class C – Mighty Minis

5.3 C Safety Requirements

5.3.1c The following articles of MSA Appendix [K] Safety Criteria Regulations apply as specified below plus MSA Regulations [K 9] and [K 10]. In addition to MSA Section J and Q all vehicles must comply with the following requirements. All vehicles must comply with current MSA regulations for circuit racing saloon cars.

Bolting in of a six-point Safety Devices roll cage with a fixed or removable diagonal bar. Rear Part No: C-STR48SD, or C-STR49SD front Part No: C-STR237SD

Where a removable diagonal bar is fitted it must be in place for any qualifying or race.

MSA Regulation Section K, the bolts and footplates must be of the manufacture's design.

The fitting of two intrusion (door) bars on the passenger door aperture and two on the driver's side door aperture is mandatory, and must only be Part No: C-STR238SD using the couplings as supplied by the manufacturer

The bolting in of an extra horizontal bar linking the two roll cage rear upright legs is allowed Part No: C-STR238SD

The fitting of a harness bar is mandatory Part No: C-STR52SD

The bolting in of an extra horizontal bar linking the two roll cage front upright legs is allowed Part No: C-STR53SD

This bar must not be positioned below the lower dash rail

The installation of **flame retardant** roll cage padding to all parts of the cage, which may come into contact with the driver's body, arms, legs, or head, is mandatory.

The installation of the roll cage assembly in a manner designed to achieve additional rigidity and or bracing is prohibited.

The roll cage and all of its associated parts must only be bolted together, i.e. no welding of any component

5.3.2c Seat Belts

FIA homologated seat belts to MSA Yearbook [Q 19.14.2] & [K 2] are mandatory.

5.3.3c Fire Extinguishers

- A plumbed in fire extinguisher to MSA Regulation [K 3.1.2(a)] (as a minimum) is mandatory
- The external pull/switch for the fire extinguisher triggering system should be located at the base of the front windscreen on the driver's side adjacent to the isolator pull/switch.
- The external pull/switch for the fire extinguisher triggering system must not be recessed into the body or wings and must be clearly identified with the appropriate 'E' decal. MSA Regulation [Q 19.14.7].
- The internal pull/switch for the fire extinguisher triggering system should be fitted for easy access by the driver in his seated position.

5.3.4c Battery

- The fitting of a battery cut out switch to MSA Regulation [K 8] is mandatory.
- The internal battery isolator switch should be fitted for easy access by the driver and must isolate all electrical circuits and stop the engine if activated.
- The external isolator pull/switch for the electrical isolator system should be located at the base of the front windscreen adjacent to the fire pull and be clearly identified by the appropriate 'flash' in the blue triangle decal. It must not be recessed into the body or wing.
- The battery to earth strap must be clearly identified with yellow insulation tape.
- The battery, must be a sealed unit, and can be replaced by lightweight competition alternative.
- The battery must remain situated in the original battery box, with additional securing brackets/clamps over and above the original fixings.
- Extra insulation for the battery live cable on the starter motor is allowed
- The battery live terminal must be fully insulated

5.3.5c Vehicle Construction

- All vehicles must be of a sound construction i.e. no dangerous levels of rust or any signs of previous accident damage. All vehicles must be presented, at all rounds to compete, with perfect panel and paintwork.
- Failure to adhere to the above means that the car may only race at the discretion of the Eligibility Scrutineer or Co-ordinator.
- In the case of a front mounted radiator, shell being used the nearside inner wing must be changed to the type used on the side mounted radiator models.

5.3.6c **Towing Hooks**

- The fitting of towing hooks front and rear to MSA Regulation [Q 19.1.3] is mandatory.
- The towing hooks must be of a contrasting colour to the surrounding paintwork. The front towing hooks must be a MSA compliant fabric tow strap that is constructed from pliable webbing with a 5000kg load rate
- No metal front towing eyes are to be fitted to the front of the car during any official practice or race.

5.3.7c **Head Restraint**

- A head restraint to MSA Regulation [K 13] must be fitted.

5.3.8c **Seats**

- The fitting as per MSA yearbook Section [K 2] of a competition seat is mandatory. Preferably seats with ears
- In the event of a heavy accident the seat should be sent to the manufacturer to be tested before reusing it.
- The entire area of the inner floor where the seat is bolted through must be reinforced or supported with extra, 3mm minimum thickness metal plate.
- Bolts that are used to secure the seat must be supported by under floor plates/washers of a minimum thickness 2mm preferably strips of metal.

5.3.9c

- The fitting of bonnet and boot straps/springs is mandatory.
- The bonnet must be able to be opened from the outside of the car.
- The bonnet must remain hinged, in its original position and inclination.
- All of the under bonnet sound proofing must be removed

5.4C **General Technical Requirements and Exceptions**

- See MSA Regulations J and [Q 19]. (Note a laminated front windscreen must be fitted, glass sunroofs are not allowed.
- The door windows, rear quarter windows and rear windscreen must be changed for clear 4mm poly carbonate (**NOT PERSPEX**) Part No: (C-WIN 0002) in conjunction with Part No: (JRC 2673).
- Sealed rear quarter windows are allowed.
- In the instance where the door windows cannot be opened, the driver's door window must have an aperture to allow signalling.
- The fixed rear side windows must have holes, maximum four no larger than 50mm diameter at the rear edge to allow the flow of air out of the car, or have the rear edges fixed slightly open whilst competing.

5.5 C **Chassis**

5.5.1c Front and rear subframes, and mounting points must be retained entirely in their original positions and as fitted by the manufactures (non-automatic). The standard front subframe can only be substituted subframes Part No: KGB 100500, KGB10027

5.6 C **BODYWORK**

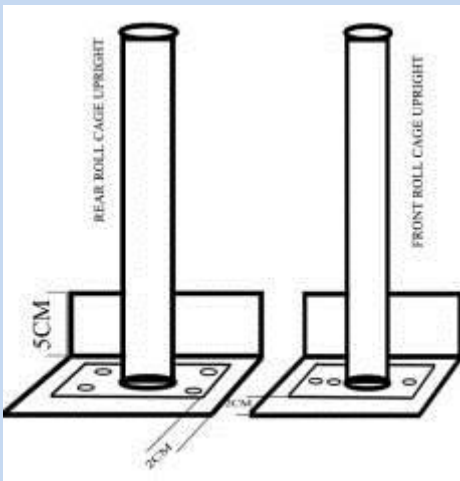
5.6.1c **Modifications Permitted**

General

- The entire body-shell complete, bonnet and doors, must remain in their entirety and of the original materials and gauge as supplied by the manufacturer

Interior

- Support plates **must** be welded into position at the base of the roll cage feet at the fixing points inside the car, the plates must be a minimum of 2cm and a maximum of 5cm larger than the roll cage feet and a minimum of 3mm thick.
- The support plates must come up the inner sill by at least 5cm. See diagram below:



- The fixing of extra gauges/shift lights is allowed, providing the gauges/shift lights in no way compromise the driver's safety.
- All original instrumentation must be retained in their original positions as fitted by the manufacturer but does not need to be working.
- Support plates 150mmx150mmx3mm maximum **must** be welded to the floor-pan inside of the car at the mounting point of the front subframe
- Replacement of the steering wheel with a competition version (not wooden)
- The fitting of a steering column lowering bracket. The bracket must not be attached to any part of the roll cage.
- The fitting of steering column brace bars is allowed. The brace bar must not be attached to any part of the roll cage. The brace bar must be properly insulated with MSA approved padding.
- The light switch can be repositioned for ease of access, providing a dummy switch is left in the resulting aperture.
- The ignition switch can be repositioned and/or replaced with an approved aftermarket version.
- Removal of the wiring for the heated rear screen
- A foot brace can be fitted, providing it does not compromise the driver's safety.
- Removal of all carpeting, roof lining and soundproofing, dash liner fabric is mandatory.
- The sealing of both front and rear bulkheads to MSA Regulations [J 5.2.2] and [Q 19.1.1].
- Removal of the fresh air vent,(Part No JPC8632)provided that the resulting aperture is sealed
- Extra plates can be fitted to the accelerator, brake, and clutch pedals at the point of foot contact.
- Door trims must be in place
- In the interest of driver safety, the interior chrome door window trims and rear pocket chrome trims must be removed.
- The coolant hoses can be disconnected from the heater unit, but the unit itself must remain in its entirety and in its original position.
- If the coolant hoses are disconnected from the heater they must be joined together allowing continuous coolant flow.
- The rear view mirror can be replaced for a larger alternative or added to.
- Removal of the fresh air scoop trunking through to the heater, is allowed provided that the resulting aperture into the passenger compartment is sealed.
- The rear seat tray over-hang and the two rear pockets can be removed.
- The timing transponder **must** be fitted to the upright of the rear roll cage adjacent to the bottom of the driver's rear side window.
- The car's race number must be displayed, at the bottom of the front windscreen in the middle on the inside facing inwards the numbers must be minimum 75mm in height

Exterior

- The fitting of quick release grille buttons.
- The fitting of bonnet and boot straps/springs is mandatory
- The bonnet must be able to be opened from the outside of the car
- The bonnet must remain hinged in its original position and inclination.

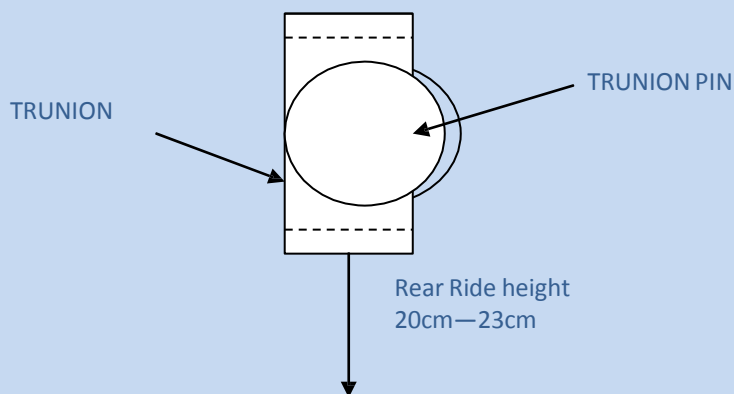
- The front grille, including side cappings and bonnet trim, must remain in the original position.
- The grille, grille side cappings bonnet trim and both front and rear bumpers must remain as silver chrome
- The front bumper must only be an **undamaged** bumper.
- The angle or number of the grille slats must be unaltered
- The front number plate brackets can be removed.
- The side cappings can be fastened to the grille
- Removal of the rear number plate light pod.
- Extra non-visible fixings for the front and rear bumpers.
- Removal of the horn.
- The side repeater lights on the wings can be removed along with the relative wiring.
- The colour scheme is completely free subject to 5.17.4.& illustration 5.17a
- The flexible seam capping between the front and rear wheel arches can be removed.
- All lights must have extra securing tape over the glass area, but must still work to full efficiency.
- The sealed beam units can be replaced by working aftermarket versions.
- The plastic rear light lenses can have a maximum of 6 small holes (maximum 5mm) drilled into the side of them to weaken them.
- The cutting of two small holes in the rear valance to gain access to the adjustable ride height units where fitted is allowed, but these must not exceed 2.5cms in diameter.
- Use of extra fixings (pop rivets) to secure the metal seam cappings.
- Removal of part of the n/s and o/s inner wing at the bottom rear (10 cm x 7 cm) so as to access the brake unions
- The ignition coil can be repositioned, but must remain in the confines of the engine compartment.
- A hole a-maximum 50mm diameter, or square, can be cut into the driver's side inner wing to allow access to the clutch centre bolt.
- The boot lid can be replaced by a fibre glass version Part No: (MS111, MS113), but must remain hinged.

Silhouette

- The silhouette and plan view must remain as per the manufacturer (original).

Ground Clearance

- The ride height of the base of vehicles rear subframe front trunion Part No: 21A2558 to the floor must be between 20cm and 23cm (Tolerance 0.2cm). See diagram below:



- The ride height from the base of the vehicles front sill seam (measured below the A panel to sill join) to the floor must be between 22cm and 25cm (Tolerance 0.2cm).
- Note the ride height will be checked with the driver for that race/qualifying sitting in the car post qualifying or race. MSA Regulation [J 5.20.11].

5.7 C Engines

- The engine block must be a 1275 A plus. The cylinder head must be a production Rover 'A' series (A plus) five port head casting as fitted by the manufacturer when new unless specified within these regulations.
- The crankshaft, rockers, rocker shaft towers, connecting rods, push rods, cam followers, camshaft, valve guides, flywheel, timing gears and wood-ruff keys and all other components unless specified, must remain unmodified and of the manufacture's original specification and materials as fitted to the 1.3(1275).

Cylinder Head

Modifications Permitted

- A production Rover 'A' series (A plus) five port head casting must be fitted.
- The head gasket face may only be skimmed parallel to the rocker face +/- 0.25mm front to rear and side to side
- The cylinder head can be drilled and tapped at the thermostat end to allow fitment of a temperature sender/sensor
- The cylinder head can be drilled at the heater take off adjacent to the number four chamber area to allow fitment of coolant hoses
- Where a bottom spring locator is fitted it must be Part No C-AEA654
- Standard valve springs can only be replaced by double valve springs (Part No: C-AEA526),
- Where double springs are fitted, the standard valve caps can only be replaced by the valve cap Part No: AEA 653
- Unmodified Inlet valve size 33mm + 1% tolerance part number Part No: tam1058 (triple groove collet)
- Unmodified Exhaust valve size 29.4mm + 1% tolerance part number Part No: tam1061(triple groove collet)
- Valve spring shims, up to a maximum of 1.5mm in total, can be fitted
- Both top and bottom of the valve seat must be parallel to the cylinder head face
- Valve stem seals are optional
- The standard (unmodified) size Rover inlet manifold locating ring must be fitted Part No: 12G297
- Valve guides must remain in their original position, angle and depth.
- Standard valve guides can be replaced by unmodified valve guides Part No. C-AJJ4037
- The Valve seats can be re-cut.
- Inlet Valve seats in the cylinder head must be 2mm wide minimum and be of a 45° angle.
- Exhaust Valve seats in the cylinder head must be a 1.5mm wide minimum and be of a 45° angle
- Minimum combustion chamber volume in the cylinder head is 21.5cc using a champion N9Y or NGK 6ES spark Spark Plug
- The fitting of a thick walled rocker shaft. Part No: C-AEG399

5.7.1c Permitted Modifications

- Engine blocks can be re-lined.
- The bore and stroke must remain as standard i.e.: 70.625mm & 81.28mm.
- Pistons Part No: TAM2050 or hepolite Part No: P21253 or Nural Part No: 08-524100-00 and rings must remain unmodified and of the standard original specification. Piston weight 359 grams minimum, with the piston rings and gudgeon pin.
- Only the relevant gudgeon pins supplied as standard with the standard Part No: TAM2050 and hepolite Part No P21253 Nural Part No: 87-524100-00 pistons can be used. These gudgeon pins must not be machined or modified in any way.
- Camshaft Part No: LGC10230, Part No: LGC10230MS, Part No: MM-160860S
- The connecting rod bolts can only be replaced with Part No: (C-STR289)
- Con rod weight without shells but with nuts and bolts 667 grams +/- 20 grams.
- Minimum weight of the verto flywheel must be 5kg with a tolerance of 1%
- Uprated Cylinder head nuts & bolts can be used
- The main bearings can be replaced by aftermarket Vandervell bearings. Part No: AEM 91886 or an ACL equivalent
- The big end bearings can be replaced by aftermarket Vandervell bearings. Part No: AEB 91306 or an ACL equivalent
- The fitting of an adjustable oil pressure valve is allowed Part No: HPS4 and magnetic trap Part No: HPS5
- The block to oil filter feed pipe can be replaced by an aftermarket version Part No: MOC1018
- The standard head gasket can only be replaced by non-standard head gaskets. Part No's: AF460, C-AHT188, BK-450
- A magnetic trap can be fitted to the oil pipe fixing at the rear of the gearbox Part No: HPS 5, HPS 6
- Single row simplex camshaft timing gear Part no: 12G4337 and single row simplex crankshaft timing gear Part no: 8G725

- A Single timing chain Part Number: 3H2127EVO should be fitted.
- The fitting of an extra top engine steady bar to the radiator side linking it to the bulkhead.
- The rubber stabiliser bushes can be replaced with nylon or poly bushes.
- An alloy aftermarket rocker cover can be fitted
- The clutch flexi hose can be heat insulated.

5.7.2c **Prohibited Modifications** **Engine & Cylinder head**

- The cylinder head must not be modified beyond allowances in these regulations.
- Polishing or reshaping or aggregate blasting of the cylinder head, the valve intakes, exhaust throats and ports, valve pocket chambers, valves or combustion chambers
- Changing the angle or thickness of the valve seat
- The valve spring seat must not be refaced
- The relocation of the valve guides in any way
- Valve guides must remain parallel to the cylinder bores (no angled valves)
- Repositioning of the inlet and exhaust manifold studs
- Spark plug holes must not be moved or modified
- Spark plugs that reduce the combustion chamber volume to below **21.5cc** are not allowed to be used for any championship race or official practice session.
- Roller valve spring shims cannot be fitted
- The original 45° valve seat angle must not be altered
- No re-profiling or polishing of the inlet or exhaust valves
- The inclination of the inlet and exhaust ports must not be altered
- Addition of material in any form added to any part of the valve intakes, exhaust throats & ports, valve pockets, valve or combustion chamber
- Machining of any sort or by any means below the valve seats
- Inlet valve seat inserts
- Modification or replacement of the standard rockers
- Modification of the standard rocker shaft pillars
- The terrain of the combustion chamber must not be reworked/modified at any point
- The exhaust manifold must not be modified in any way at all
- Inclination of valves or ports of the cylinder head
- Multi angled valve seats
- Dry decking
- Pistons must not protrude above the block face at any point at TDC
- Blue printing of the engine.
- The engine mounts cannot be replaced by solid after-market alternatives.
- Reshaping of the engine coolant water pump impeller aperture in the cylinder block
- There must be no line boring of the main bearing housing/cap, however very light honing is allowed providing it is parallel to the block face.
- Modifying the main bearing housing/cap beyond light honing.
- Modifying the big end bearing housing cap
- The gudgeon pins must not be machined or modified
- Angled cylinder head combustion chambers

5.7.3c **Engine Location**

- The position and inclination of the engine must be original

5.7.4c **Cooling System**

- The fitting of an oil cooler, maximum vertical 13 row, providing that it is fitted within the overall periphery of the engine bay.
- The replacement of the standard multi-blade fan with aftermarket fans Part Nos: 2x (2A997 or 2A998)
- Removal of the standard electric fan.
- The radiator can be replaced for a larger capacity alternative, providing it remains in the original position and uses the manufacturer's original (non-modified) fixing points and brackets, without the use of any additional brackets or supporting parts.

- Tape or material can added between the radiator and the inner wing so as the change the characteristics of air flow around the radiator.
 - The thermostat can be modified or replaced.
 - The cylinder head can be drilled and tapped at the thermostat end to allow fitment of a temperature sender
- A hose of internal diameter 5/8inch can link the heater take off adjacent to number four cylinder on the cylinder head to the radiator heater hose.
- A single auxiliary cooler, maximum vertical 13 row, can be fitted in line with the additional coolant hoses, providing that it is fitted within the overall periphery of the engine bay.
 - The under wing coolant expansion tank can be removed.
 - An extra 3/4 inch maximum internal diameter breather hose can be fitted to the rocker cover
 - The fitting of a central oil pick up pipe is allowed part no (C-AHT54)
 - A heater vent hose can be used to exist hot air from the heater through the passenger floor

5.7.5c **Prohibited modifications to the cooling system**

- Dry sumping is not allowed.
- Removal of any metal to accommodate a larger radiator.
- Additional radiators
- No coolant hoses are to be repositioned, blocked off or restricted.
- Non-standard coolant hoses
- Water pump Part No: GWP187EVO can be used
- The coolant pump pulley CAM 6408 of 4.725 inch diameter must be fitted.
- Additives to the coolant water must not be more than 50% of the volume of the base liquid which must be water.

5.7.6c **Induction System**

- Carburetor part no: SZX3006,FZX1531E, must be used.
- The inlet manifold Part number(C-AHT770 must remain unmodified.
- The air filter must be Part number (SC-9330)
- Twin throttle cables can be fitted.
- An air flow restrictor plate supplied by Mighty Minis racing must be fitted.

5.7.7c **Exhaust System**

- The exhaust manifold must be replaced by an unmodified three branch manifold Part No: C-AEG374.
- The rest of the system can only be replaced by either a single or twin silencer box equipped RC40 or a Manifold system. Not exceeding 1.7/8 inches external diameter size. Part Nos: C-ARA337, C-ARA338, C-ARA336, RC40s only.
- The welded sub frame exhaust hangers can be removed to allow fitment of non-standard exhaust hangers
- Heat insulation can be fitted to the exhaust manifold and down pipes,
The exhaust rear exit pipe can be shortened, but must be at least 5cm beyond the rear exhaust box

5.7.8c **Ignition System:** The distributor must be part number (AVV1536) rev limiter part number (xxx)

5.7.9c **Fuel Delivery System**

- The fuel pump must be a facet fuel pump, an adjustable fuel filter should be fitted
- The fuel lines can be routed through the inside of the car but must be of the original internal diameter.
- The under bonnet fuel lines can be heat insulated.

5.8 C **Suspension**

5.8.1c

- **Modifications Permitted**
- Rear sub-frame mounting rubber bushes can be substituted for uprated material with the mounting holes in their original position non-offset.
- Front sub-frame to floor mountings can be substituted for metal mounting brackets. Part No: C-STR 642
- Front and rear standard dampers (shock absorbers) must be substituted for GAZ adjustable units. Front Part No: C-STN236 Rear Part No: C-STN237
- Front and rear suspension aluminum cones can be substituted for adjustable alternatives.
- Front suspension lower arms must be substituted for a-fixed 1.5 degree negative camber alternatives Part No: C-AJJ3364

- or an adjustable non-spherical bearing jointed Part No: C-AJJ3360 but must have a maximum of 1.5 degrees negative camber. The camber will be measured from the wheel rim.
- Front suspension tie rods must be substituted for an adjustable (non-spherical bearing jointed) alternative Part No: 21A1091
- Rear radius arm outer mounting brackets can be substituted for camber/and or toe adjustable alternatives
- Front suspension bump stops can be replaced by a competition alternative or cut down but not removed. These can be in the original position or on the top arm
- Competition bump stops can be fitted to the rear radius arms or to the rear damper piston rods Front sub-frame to front valance rubber mounts can be replaced by solid alternatives.
- The rubber mount on the front sub-frame towers must be replaced by a 7mm minimum thickness unmodified solid alternatives, but not removed.
- Front sub-frame tie rods rubbers can be replaced by non-competition alternatives Part No: C-STR628, C-STR627 in unmodified form

5.9.2c **Modifications Prohibited**

- The replacement of any gears of the main gear cluster, drop gears or lay gear as fitted to the 1.3SPi British Specification single point injection Mini Cooper that will in any way alter the ratios.
- The 29 tooth primary gear Part No: DAM8890, 37 tooth intermediate gear Part No: ATUB-101310 and the 29 tooth input gear Part No: DAM2925 must not be interchanged with any other ratios the intermediate gear must also remain standard.
- The standard differential unit must not be replaced with a limited slip differential unit or have any other traction enhancing modification.
- Ceramic wheel bearings
- No other modification to the gear change mechanism is allowed other than detailed in 5.9.1a

Any other modification not specified in 5.9.1.

5.9.3c **Transmission And Drive Ratios**

- The mandatory differential ratio is the 3.9:1, made up of a 63 tooth helical crown wheel and a 16 tooth helical pinion gear
- The rest of the drive train must remain as standard and as fitted by the manufacturer to a British 1.3 SPi Mini Cooper.

5.10A **Electrics**

5.10.1c **Exterior Lighting**

5.8.3c **Wheelbase And Track**

- Rear track width at ground level must be 124.5cms maximum (tolerance of 0.2cm measured from the centre of the tyre)
- Front track width at ground level must be 129cms maximum (tolerance of 0.2cm measured from the centre of the tyre)
- The fitting of wheel spacers on the rear only, these are not to exceed 6.5mm in thickness
- Longer track rod ends must be fitted.
- The fitting of steering arms Part No: BTA894 & BTA895
- Longer wheel studs must be fitted.

5.9 C **Transmission**

5.9.1c **Modifications Permitted**

- The replacement of the standard differential unit by the competition alternative Part No: C-AJJ3385.
- The replacement of the standard differential pin for a competition alternative.
- The replacement of the baulk rings for a competition alternative is allowed Part No: C-22A1741
- The layshaft can be replaced by an up-rated alternative. Part No: C-22A1739
- The gearbox must remain as fitted by the manufacturer, for the British Mini Cooper model with four forward gears and one reverse gear.

- The fitting of a quick shift gear change (mechanical) mechanism. Part No: C-22A1751
- Fitting gear rod linkage Part No: MSG13
- The clutch centre plate can be replaced with a non-sintered non-ceramic competition alternative or any other available standard fitment.
- The fitting of an extra stabilising bar from the gearbox to subframe Part No: MSSK001
- Part No's and number of gear teeth for the main gear cluster kit:

First Motion	Dam 4930	teeth	17
First Gear	22G1096	teeth	31
Second Gear	Dam 4932	teeth	26
Third Gear	Dam 4933	teeth	21
Lay Gear	Dam 4931	teeth	30/26/21/15

charge and correctly connected at all times to the electrical system the fan belt must operate the alternator at all times.

- The means to turn off the charge drain from the alternator is not allowed.
- The alternator pulley must remain the standard size and as fitted by the manufacturer.

5.11 C Brakes

- front calipers can be replaced by Part No: GBC138, GBC141
- The discs, servo and rear drums must be of the manufacturer's original specification and material as fitted to the 1275 Mini Cooper range.
- Rear brakes and handbrake must be operative at all times
- Under bonnet brake lines can be heat insulated
- All brake rubber hoses must be replaced with braided alternatives.
- A brake bias adjustment valve may be fitted, but must not be adjustable by the driver whilst driving.
- Fitment of proprietary Tilcon or AP brake adjuster.
- Front discs dust covers/back plates can be removed.
- Brake lines can be routed through the inside of the car.

5.11.2c Modifications Prohibited

- Fitting of any aluminum brake parts.
- Lightening of any brake parts in any way.
- Fitting of air ducting to allow extra cooling to the brakes.
- Drilling or grooving of any brake parts
- Any modification not specifically allowed in 5.11.1

5.12 C Wheels and Steering

5.12.1c Modifications Permitted

- The wheels can only be either the standard 12 inch alloy or steel rims as fitted to the Rover Mini.

5.12.2c Modifications Prohibited

- No other wheel rims.
- The fitting of a 'quick' steering rack lock to lock is 2.2 turns.
Standard steering rack lock to lock is 2.7 turns.

5.12.3c Construction and Materials

Must be standard.

5.12.4c Dimensions

Must be standard.

5.13 C Tyres

- 5.13.1c • The control tyre is the YOKOHAMA A539, 165.60.12 71H with a minimum tread depth of 1.6 mm at any point across the face of the tyre before any race or official practice.
- The use of tyre heating/heat retention devices, tyre treatments and compounds is **strictly** prohibited

5.14 C Weight Limit

- 5.14.1c The minimum weight of the car and driver for the practice or race is 738kg; it may be necessary to add ballast to achieve this weight
 - Ballast is to be securely fixed to the car in such a way that it can withstand the forces of motor racing as per MSA Yearbook [J 5.15].
 - Ballast must be of a solid material such as steel or lead.
- Ballast must be fitted to the spare wheel recess in the boot, or to the passenger side floor.
- Strategically positioned weights are not allowed
- The bolts used to secure any ballast must be supported by under floor plates minimum 2mm thick In the event of a car being found to be underweight, ballast can only be fitted to the recommended areas.

5.15 C Fuel Tank and Fuel

- The fuel tank must remain securely fastened in the boot area.
- The fuel must be unleaded pump fuel to BSEN228, or BS 7800 complying with MSA Regulation Section B, Nomenclature & Definitions is mandatory.
- No fuel additives can be used for any official qualifying or race.
- A drip tray around the filler neck is mandatory with a suitable sized hose to drain spilt fuel out of the boot area in a non-hazardous manner.
- The bolts securing the fuel tank must be supported by 50mm square or diameter washers and by under floor plates/washers of a minimum thickness 2mm and be a minimum of 50mm square or diameter.
- The fuel Tank and filler neck must be entirely within the confines of the boot compartment.
- No rubber mounting of the fuel tank is allowed, all fixings must remain solid mounted to the boot compartment.
- The boot floor must form a full seal with the exception of drainage, as required by MSA Regulation [K 14.1.2].
- The fuel tank must have an after-market flush fitting fuel filler cap or have the fuel filler neck in the confines of the boot
- No part of the fuel tank should protrude outside of the boot compartment.

5.16 C Silencing

Silencing must comply with MSA Yearbook Regulation [J 5.17] and [J 5.18].

5.17 C Competition Numbers/Decals

- (i) 1 points for the first infringement,
- (ii) 3 points for every subsequent infringement.
- 5.17.1c • The organisers reserve the right to nominate any part of the vehicle to carry sponsors and organisers decals and these must be in place unaltered in size or shape in their nominated positions, as specifically outlined by the illustration 5.7.1 A in Appendix B during any official race or practice.
- In addition a section eight inches wide, from the centre of the top dash rail must be made available for in-car advertising.
- Sponsors, BARC and organisers' decals must be placed in exactly the positions as outlined by the Championship regulations & Coordinator. See Illustration 5.17a
- During the season additional sponsors decals may be introduced.
- Failure to adhere to the specific layout of Illustration 5.17a could result in the vehicle not being able to compete, or loss of points for that race.

- 5.17.2c • All decals are readily available from Mighty Minis Racing Ltd
- 5.17.3c • Priority must be given to the Championship sponsors decals these must be in place in their designated positions for all official practices and races.
- 5.17.4c • There is to be no additional forward visible/facing text, advertising or logos, i.e. the grille, number plate, bonnet, front of roof, mirrors, rear bulk head, bonnet stripes or top of wings, etc.
 - Engine builders decals/ logos or contact details, must not be larger than 15cm X 15cm and must only be placed on the lower front corner edge of the two doors i.e. one per door
 - The drivers name (also abbreviated form) only can be displayed on the grille.
 - The top edge of any advertising on the front wings must not be higher than 15cms above the front wheel arches
 - Mighty Minis racing reserves the right to refuse to accept any livery and order repainting if the required

standards are not met.

- 5.17.5c • Rear facing advertising is allowed, excluding engine builder's decals/logos or contact details.
- 5.17.6c • Removal of rear number plate
- 5.17.7c • The side race numbers must be either made up of led strips or have illuminated door backgrounds for night races.

6. APPENDICES

Appendix 'A'

Maximum Engine Developed Horsepower Table According to DIN 70020

Model	Engine Power
Mighty Mini	TBA
Super Mighty Mini	TBA
Class C	TBA

- Notes:
1. The above values do **not** include the 2.5% additional tolerance as per Reg. 5.2.3.
 2. 0.7355kW= 1hp

The organisers nominated rolling dynamometer is situated at:

Blink Motorsport Ltd.
Unit 3
Nat Lane
Winsford
Cheshire
CW7 3BS
Tel: 01606 212326 contact Richard



Illustration "A". The above diagram illustrates the exact position of series sponsors' decals supplied by the organisers. These decals must be in place on both sides of the car in the positions shown, during all official practice sessions and races. This relates to Regulation 5.17.1. Additionally, one Mighty Minis logo is to be placed on the forward facing area of the bonnet, driver's side, next to the bonnet badge. Another Mighty Minis logo is to be affixed to the boot next to the badge. And the Mighty Minis Racing sticker to go below the rear no. plate

6.1 Race Organising Club and Contacts

The Following Commercial Undertakings are not subject to the Judicial Procedures of either the Championship Stewards and/or the MSA/MSC.

British Automobile Racing Club	David Wheadon	Thruxton Circuit Andover Hampshire SP11 8PN Tel: 01264 882209 Fax: 01264 882233 dwheadon@barc.net
--------------------------------	---------------	---

Bill Richards Racing	Bill Richards	Bill Richards Racing Unit 24 Ellingham Industrial Estate Ashford Kent. TN23 6NF Tel. and Fax: 01233 624336
----------------------	---------------	---

Mighty Minis Racing Ltd	Rodger Tello	Mighty Minis racing Ltd 44 Arbour Square London E1 0Ps
-------------------------	--------------	--

6.2 Commercial Undertakings

6.2.1 Vehicle Presentation

The presentation of the car is fundamental to the profile of the championship its sponsors and its audience. Therefore in considering whether to permit any car to race, at any point during the season, the organisers will regard as paramount the presentation of the car. In taking into account its appearance inherent in which is the standard of its presentation (including interior) they may exclude any car which they consider may prejudice the reputation of the championship or is otherwise unacceptable.

This will include where the car is presented at a race event bearing accident damage sustained at a previous event and which has not been subject to the completion of a full and proper repair. Note: A double header can be regarded as one event for the purposes of this regulation.

6.2.2 Advertising/Glass

- A All glass areas must remain clear and unobstructed by decals/advertising or any other obstruction unless these regulations specify differently or approved by the BARC Championship Co-ordinator.
- B The only exception being the rear side windows that should have the drivers' surname clearly displayed in simple bold type, unless these championship regulations specify a different option.
- C All surfaces, which have not been designated for stickers by the Championship, its' sponsors or used for the application of starting numbers, are free for use. The Championship Co-ordinator must approve conflicting sponsor's stickers in advance and the position, size and colours (if approved) will be at the discretion of the Championship Co-ordinator.

MEMBERSHIP REGISTRATION



Name of entrant (if applicable) _____

Entrants licence number _____

Telephone number _____

Fax number _____

NAME OF COMPETITOR: _____

Address _____

Post code _____

Telephone number (day) _____ (eve) _____

(mobile) _____ (fax) _____

Email address _____

Please tick appropriate box :
Mighty Minis class C Minis Super Mighty Minis

I (Mr, Ms) agree to abide by all of the rules and regulations as laid down in the MIGHTY MINIS CHAMPIONSHIP 2019 Sporting and Technical Regulations, including any amendments or clarifications that may be made by the organisers during the course of the season, and to observe all rules and regulations of the MSA Ltd, I also agree to not enter into any proceeding or act prejudicial to the interests of the MIGHTY MINIS RACING, the BARC, or the MSA Ltd. I understand that for publicity reasons the, audiovisual, static or moving, image of myself and that of my car may be used by MIGHTY MINIS RACING. I understand that the replication or use of 'Mighty Minis racing' or the Mighty Minis racing Logo for production of any website or social media use is strictly prohibited. The production/manufacture of memorabilia, clothing or merchandise displaying 'Mighty Minis racing' or the Mighty Minis racing Logo, regardless as to it being for sale or free distribution, is strictly prohibited. I understand that this application of registration is subject to invitation from Mighty Minis racing prior to being accepted as a competitor.

By signing the 2019 Registration Form, I hereby agree to rounds of the Championship being substituted in the event of a cancellation.

I enclose a cheque made out to MIGHTY MINIS RACING Ltd £180.00 (one hundred and eighty pounds sterling) and I undertake to inform MIGHTY MINIS RACING Ltd if my car is sold or if I cease participation in the MIGHTY MINIS CHAMPIONSHIP

Signature of driver _____ Date _____

Signature of entrant _____ Date _____

I understand that this registration cannot be assigned and will notify Mighty Minis of any changes to the foregoing information. Please state three favoured competition numbers from 1-99 Classes A+B , 104-199 Class C in order of preference:

--	--	--	--

Return this completed form with your cheque for £180.00 to the registration secretary, Registration Secretary, 44 Arbour Square London E1 0PS

Mighty Minis Racing Ltd reserves the right to decline any applicant